



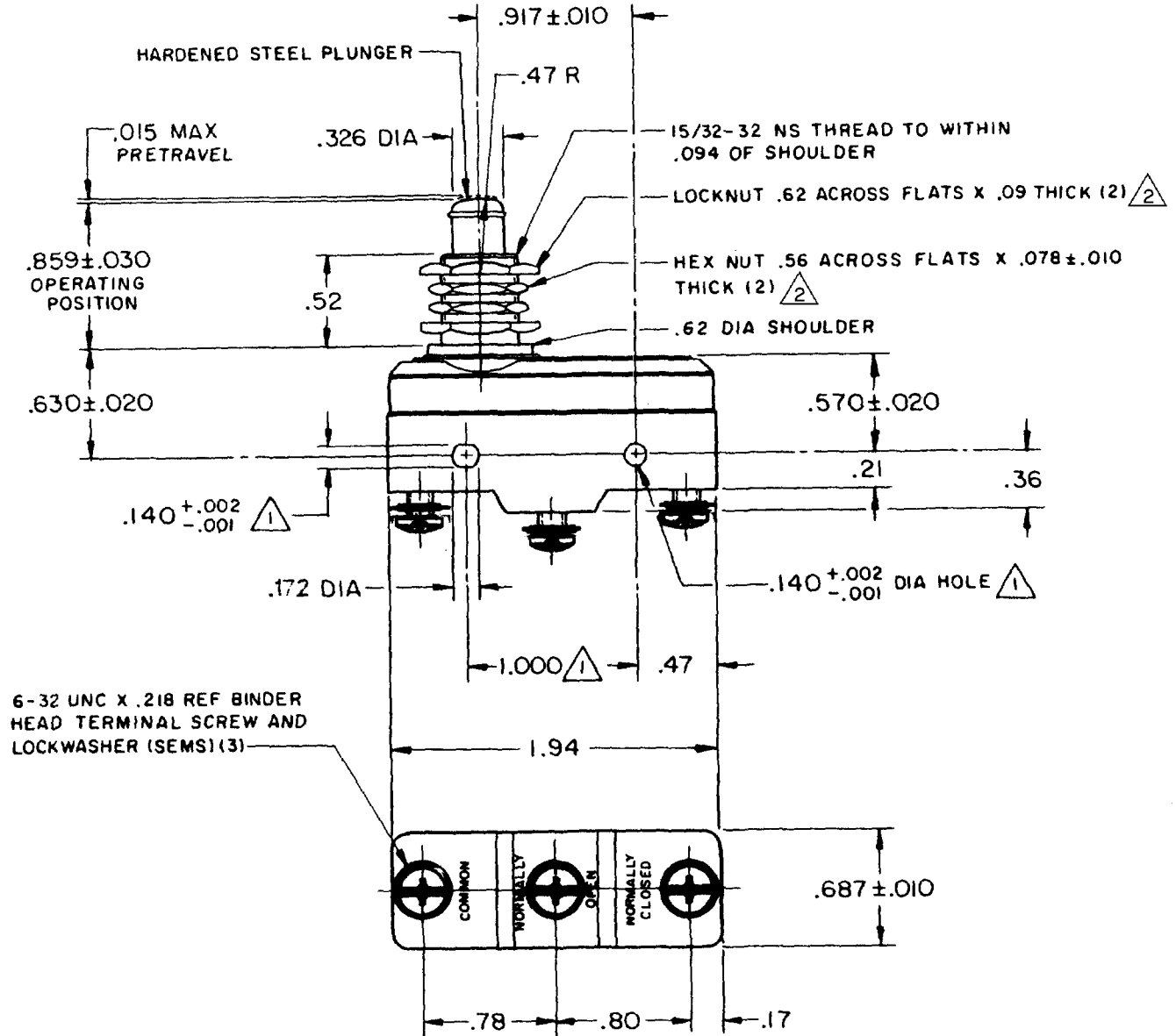
MICRO SWITCH
 FREEPORT, ILLINOIS, U.S.A.
 A DIVISION OF HONEYWELL

FED. MFG. CODE 91929

SWITCH - BASIC

CATALOG LISTING
BZ - 2RQ1T

BZ-2RQ1T
 PAGE 1 OF 1
M
 DRAWING NUMBER
15
 ISSUE
 RELEASE NO.
 CHECK
 REVISIONS
 A CO17410
 G C H
 20 MAY 63
 B CO21231
 R E R
 21 MAR 66
 C CO-
 88351-D
 JWB
 18 JUL 91
 D CO-
 77589
 K D R
 29 MAR 94
 E CO-82133
 CSL
 25 JUL 96
 F CO93346
 D L T
 10 SEP 98
 CHECK L.S.D. 15 JUN 63
 FORMTEK
 FO-50376
 DRAWN
 G C H
 20 MAY 63
 CHECK



- NOTES
- $\triangle 1$ MOUNTING HOLES WILL ACCEPT PINS OR SCREWS OF .139 MAX DIA ON 1.000 ± .002 CENTERS
 - $\triangle 2$ HARDWARE FURNISHED UNASSEMBLED

THIS DRAWING COVERS A PROPRIETARY ITEM AND IS THE PROPERTY OF MICRO SWITCH, A DIVISION OF MINNEAPOLIS-HONEYWELL REGULATOR CO. THIS DRAWING IS NOT TO BE COPIED OR USED WITHOUT THE APPROVAL OF MICRO SWITCH.

CHARACTERISTICS	ELECTRICAL DATA	SCALE FULL
OPERATING FORCE ----- 9 - 13 OZ	CONTACT ARRANGEMENT S P D T	DO NOT SCALE PRINT
RELEASE FORCE ----- 4 OZ MIN	UNDERWRITERS' LAB. INC. LISTED RATING	UNLESS OTHERWISE NOTED
DIFFERENTIAL TRAVEL ----- .0004 - .0020	-L96- 15 A - 125, 250, OR 480 VAC	DIMENSIONS ARE IN INCHES
OVERTRAVEL ----- .219 MIN	1/2 A - 125 VDC, 1/4 A - 250 VDC	TOLERANCES ARE:
	1/8 HP - 125 VAC, 1/4 HP - 250 VAC	ONE PLACE (.0) ± .030
	-L288-	TWO PLACE (.00) ± .015
	-L299- 16A 250V T85 5E4	THREE PLACE (.000) ± .005
	-L306-	ANGLES ± .005
		WEIGHT .094 LB